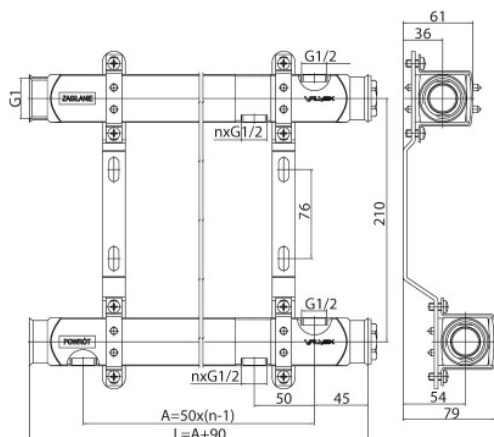
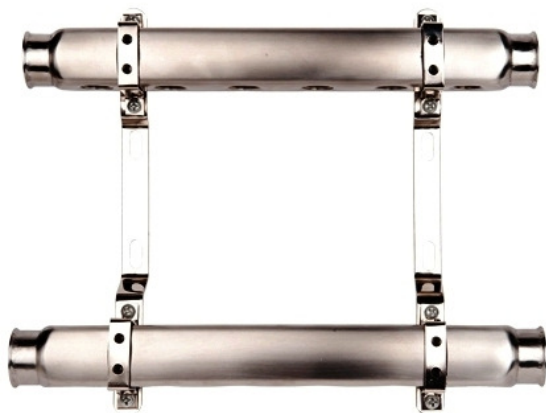


Manifold set BASE INOX

Manifold set BASE INOX K1 G1-G1/2



Code	Dimensions				EAN13
	Size	K(x)-n	A	L	
6085000	G1-G1/2	K1-2	50	140	5907451967669
6085010	G1-G1/2	K1-3	100	190	5907451967676
6085020	G1-G1/2	K1-4	150	240	5907451967683
6085030	G1-G1/2	K1-5	200	290	5907451967690
6085040	G1-G1/2	K1-6	250	340	5907451967706
6085050	G1-G1/2	K1-7	300	390	5907451967713
6085060	G1-G1/2	K1-8	350	440	5907451967720
6085070	G1-G1/2	K1-9	400	490	5907451967737
6085080	G1-G1/2	K1-10	450	540	5907451967744
6085090	G1-G1/2	K1-11	500	590	5907451967751
6085100	G1-G1/2	K1-12	550	640	5907451967768

Product usage:

For use in piping systems of cold and hot water and radiator and space central heating

Type:

Manifold set C.O.

Technical data/Operating parameters:

Max pressure: 1,0 MPa,

Max temperature: 95°C

Guarantee:

25-year

Used materials:

- steel manifold pipe G1 x 2 pcs
- bracket set x 2 pcs
- plug with O-rings G1 x 2 pcs

Finish:

manifold pipe: stainless steel; plug: brass; bracket set: zinc plated