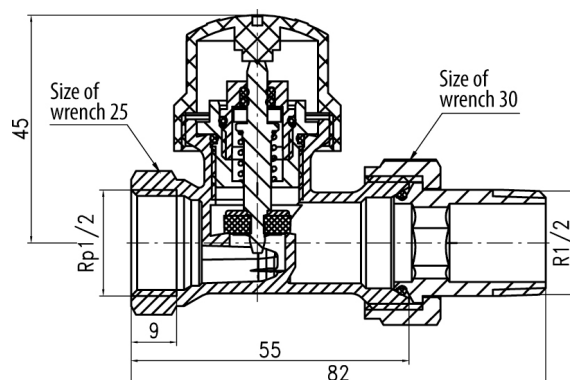


## Thermostatic valves IRIS

Straight nickel plated thermostatic valve



Code	Colour	Dimensions	EAN13
4445510	nikiel / nickel	1/2"	5907451929858
4445530	biały / white	1/2"	5907451964330

### Product usage:

For use in central heating installations

### Type:

Thermostatic valves

### Guarantee:

25-year

### Technical data/Operating parameters:

Max pressure: 1,0 MPa,  
Max temperature: 100°C

### Used materials:

body, sensor, thrust ring, coupling nut, coupling end piece: brass;  
pin, spring: steel;  
disc, sensor, pin and coupling end piece sealing: EPDM rubber;  
protective cap: polyamide

### Finish:

body, coupling nut, coupling end piece: nickel (white version - powder-coated)